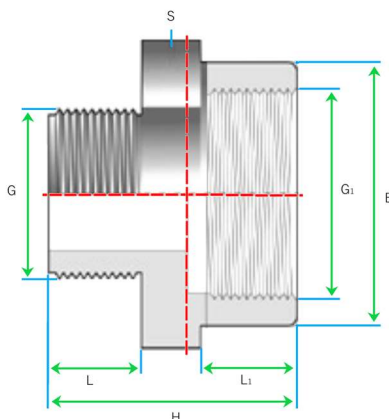


FICHA TÉCNICA / DATA SHEET
REDUCCION ROSCA M-H
REDUCING NIPPLE MALE/FEMALE THREAD



Material: **PVC-U**
Rosca: **BSP**

Código	Denominación	Kg	Uds/Caja	PN	Tube Ø	DN	L	L ₁	H	E	G	G ₁	S
7211020	REDUCCION ROSCA M-H PVC-U 1/2"-3/8"	0,011	200	10	1/2"-3/8"	15-10	15	14	38	22	1/2"	3/8"	22
7211022	REDUCCION ROSCA M-H PVC-U 1/2"-3/4"	0,025	120	10	1/2"-3/4"	15-20	15	19	49	35	1/2"	3/4"	33
7211026	REDUCCION ROSCA M-H PVC-U 3/4"-1/2"	0,019	120	10	3/4"-1/2"	20-15	16	18	43	28	3/4"	1/2"	32
7211028	REDUCCION ROSCA M-H PVC-U 3/4"-1"	0,039	70	10	3/4"-1"	20-25	16	22	46	41	3/4"	1"	41
7211033	REDUCCION ROSCA M-H PVC-U 1"-1/2"	0,030	80	10	1"-1/2"	25-15	19	18	47	28	1"	1/2"	36
7211034	REDUCCION ROSCA M-H PVC-U 1-3/4"	0,034	80	10	1-3/4"	25-20	19	19	48	33	1"	3/4"	36
7211036	REDUCCION ROSCA M-H PVC-U 1"-1 1/4"	0,065	40	10	1"-1 1/4"	25-32	19	25	53	50	1"	1 1/4"	50
7211042	REDUCCION ROSCA M-H PVC-U 1 1/4"-1"	0,052	50	10	1 1/4"-1"	32-25	21	25	52	41	1 1/4"	1"	46
7211044	REDUCCION ROSCA M-H PVC-U 1 1/4"-1 1/2"	0,085	40	10	1 1/4"-1 1/2"	32-40	21	25	54	61	1 1/4"	1 1/2"	61
7211051	REDUCCION ROSCA M-H PVC-U 1 1/2"-1"	0,064	70	10	1 1/2"-1"	40-25	21	22	53	41	1 1/2"	1"	55
7211052	REDUCCION ROSCA M-H PVC-U 1 1/2"-1 1/4"	0,067	70	10	1 1/2"-1 1/4"	40-32	21	25	55	50	1 1/2"	1 1/4"	55
7211054	REDUCCION ROSCA M-H PVC-U 1 1/2"-2"	0,155	18	10	1 1/2"-2"	40-50	21	29	60	75	1 1/2"	2"	75
7211065	REDUCCION ROSCA M-H PVC-U 2"-1 1/2"	0,102	48	10	2"-1 1/2"	50-40	25	25	59	61	2"	1 1/2"	65
7211067	REDUCCION ROSCA M-H PVC-U 2"-2 1/2"	0,206	36	10	2"-2 1/2"	50-65	25	34	68	90	2"	2 1/2"	90
7211077	REDUCCION ROSCA M-H PVC-U 2 1/2"-2"	0,178	32	10	2 1/2"-2"	65-50	30	29	68	75	2 1/2"	2"	80
7211091	REDUCCION ROSCA M-H PVC-U 3"-2"	0,225	24	10	3"-2"	80-50	33	29	70	75	3"	2"	93
7211092	REDUCCION ROSCA M-H PVC-U 3"-2 1/2"	0,238	24	10	3"-2 1/2"	80-65	33	34	75	90	3"	2 1/2"	93